

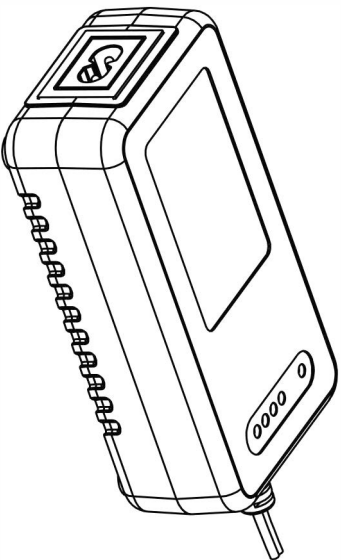
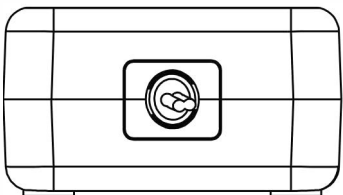
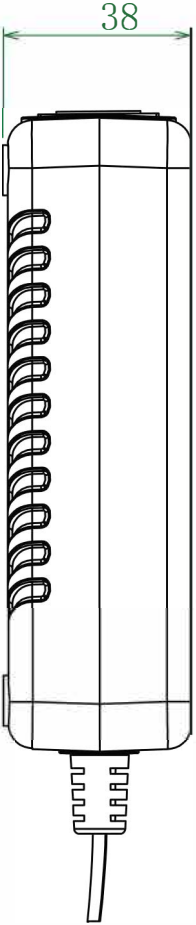
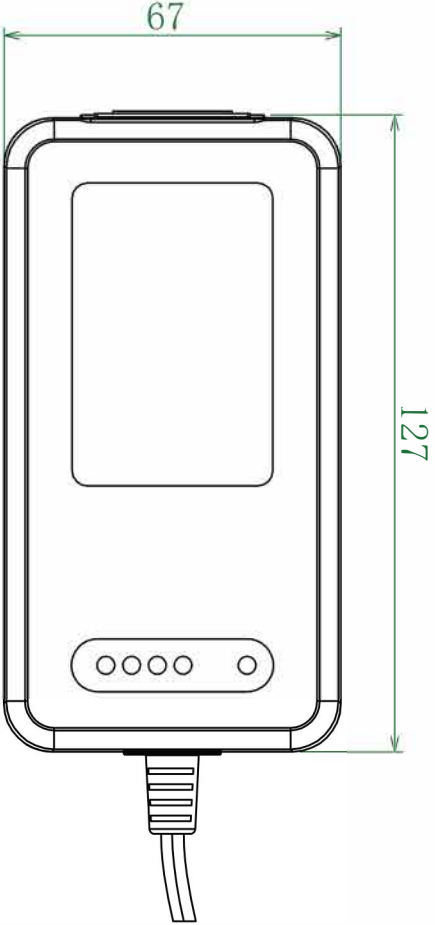


G60-24L6 (25.2V 1.8A) 6S Li-ion Battery Charger

Item	Specification	Remark
1.Input		
Rating input voltage	100~240Vac 50/60Hz	
Input voltage range	90~264Vac	
Rating input current	1.0Arms	Input:100V Output:Full load
Max input power	60W	Input:100V Output:Full load
2.Output		
No load output voltage	DC25.2V	
Output voltage range	DC15.0~25.2V	
Suit with battery type	6S Li-ion battery	
Charging current	1.8A ±10%	
Charging voltage	DC25.2V ±0.3V	
Pre-charge	0.5A±0.1A	Voltage≤18.0V Pre-charge
Charge-end current	≤0.2A±10%	
Timer	-	
Max output power	45.36W	
Ripple voltage	≤252mV	Full load
Power LED	Red	Power on
Charging LED	All off	No battery
	All on	Finished
	All flashing	Error
	Flashing one by one	Charging
Shorted	Yes	
Reversed	Yes	
Efficiency	≥85%	Full load @220V
3.Environment		
Operate temperature	-10 ~ +40℃	
Operate humidity	< +90%	Relative humidity
Storage temperature	-40 ~ +70℃	
Storage humidity	0 ~ +95%	Relative humidity
Cooling	Natural	
Vibration resistance	5MM/50HZ/600S	Non-operating condition
Impact resistance	1 meter drop test 3 times	Non-operating condition
4.Mechanical		
Weight	270g	
Size	127X67X38MM	Casing only
Connector	Refer to order	
5.Safety		
Max. temperature rise	< 40℃ on casing	
Safety approval	CE/cTUVus/PSE/CCC	
MTBF	30000H	
ESD	8.0KV	
Hi-Pot Insulation	i/p to o/p: 3000V (1 min)	

CUSTOMER REV	REV	ZONE	DESCRIPTION	CHA BY/DATE	APP BY/DATE

TOLERANCE FOR INJECT PARTS	
DIVISION DIMENSION	TOLERANCE (CLASS 5)
-10	± 0.10
10-30	± 0.15
30-50	± 0.20
50-75	± 0.25
75-100	± 0.30
100-125	± 0.35
125-150	± 0.40
150-175	± 0.45
175-200	± 0.50
200-250	± 0.60
250-315	± 0.70
315-355	± 0.80
355-400	± 0.90
400-450	± 1.00
450-500	± 1.10



SHENZHEN GREEN DIGITAL POWER TECH CO., LTD

TITLE:	SHENZHEN GREEN DIGITAL POWER TECH CO., LTD		MATERIAL:	
MODEL:	G60W		WEIGHT:	
DES BY:		FILE:		
CHECK BY:		CAD FILE:		
APP BY:		FINISH/TREATM ENT:	UNIT: MM	NO
CUSTOMER P/N:		PAPER SIZE: A4	SCALE:	1:1
		DATE:		